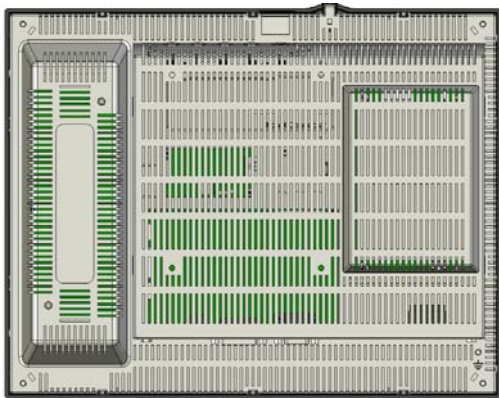


15 INCH LCD TOUCH MONITOR



15" LCD Monitor with a bright, high contrast image. Compact enclosure allows for flexible mounting possibilities. Can be supplied with Touch Sensor & Controller or Glass panel. TN Panel technology produces great images.

CERONIX MODEL 1505-LCD

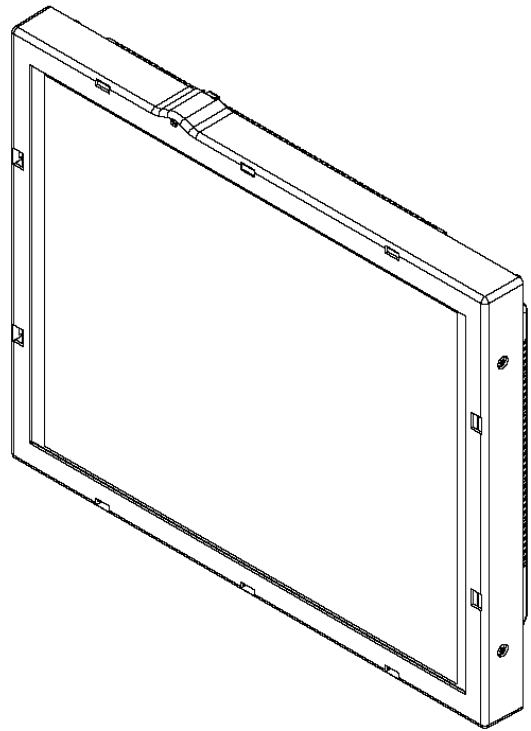
- Rugged and Stylish Plastic Injection Molded Bezel
- Wide Viewing Angle
- Infra-Red Remote Adjustment of Image Properties
- 1024 x 768 Native Resolution
- 250 nits (cd/m²)
- 700:1 Contrast Ratio
- 16.2 Million Colors
- 15" Viewable Image Size
- Analog and Digital Inputs
- 90 to 264VAC Operation
- Operational in 70° C Environments



CERONIX

13350 NEW AIRPORT ROAD
AUBURN, CA 95602
P 530.886.6400
F 530.888.1065
WWW.CERONIX.COM

Specifications	
Panel	a-si TFT Active Matrix, TN (Twisted Nematic)
Viewable Size	15"
Native Resolution	1024 x 768
Aspect Ratio	4:3
Pixel Size (mm)	0.297(H) x 0.297(W)
Brightness	250 cd/m ²
Contrast Ratio	700:1
Response Time (Sum of Tr, Tf)	8mS
Colors Supported	16.2 Million
Viewing Angle	160° in Horizontal and 140° in Vertical Directions
Interface	Analog & Digital
Input Connectors	RGB 15-Pin D-Sub, DVI-D
Frequency	31.5-80KHz Horizontal, 56-75Hz Vertical
Power Consumption	30 Watts, 90 - 264VAC, 50/60Hz
Dimensions (W x H x D)	11.625" x 13.800" x 3.995"
Environment	Operational 0° to 70°C, Humidity 5% to 90% Non-Condensing
Agency Certifications	<p>Intertek : Conforms to ANSI/UL STD. 60950-1, Certified to CAN/CSA STD. C22.22 No. 60950-1-03 (Registration Number: 3191746)</p> <p>TUV: Manufactured under a quality management system, certified to ISO 9001 (Certificate Registration Number 950 99 0571)</p>



ISO View

